

1-086SL Quarter-Turn Pr32x20 L18 with FIAT insert SNAP-LINE

Tool-less installation, Tool operable, IP65, Optional pre-assembly



IP 65

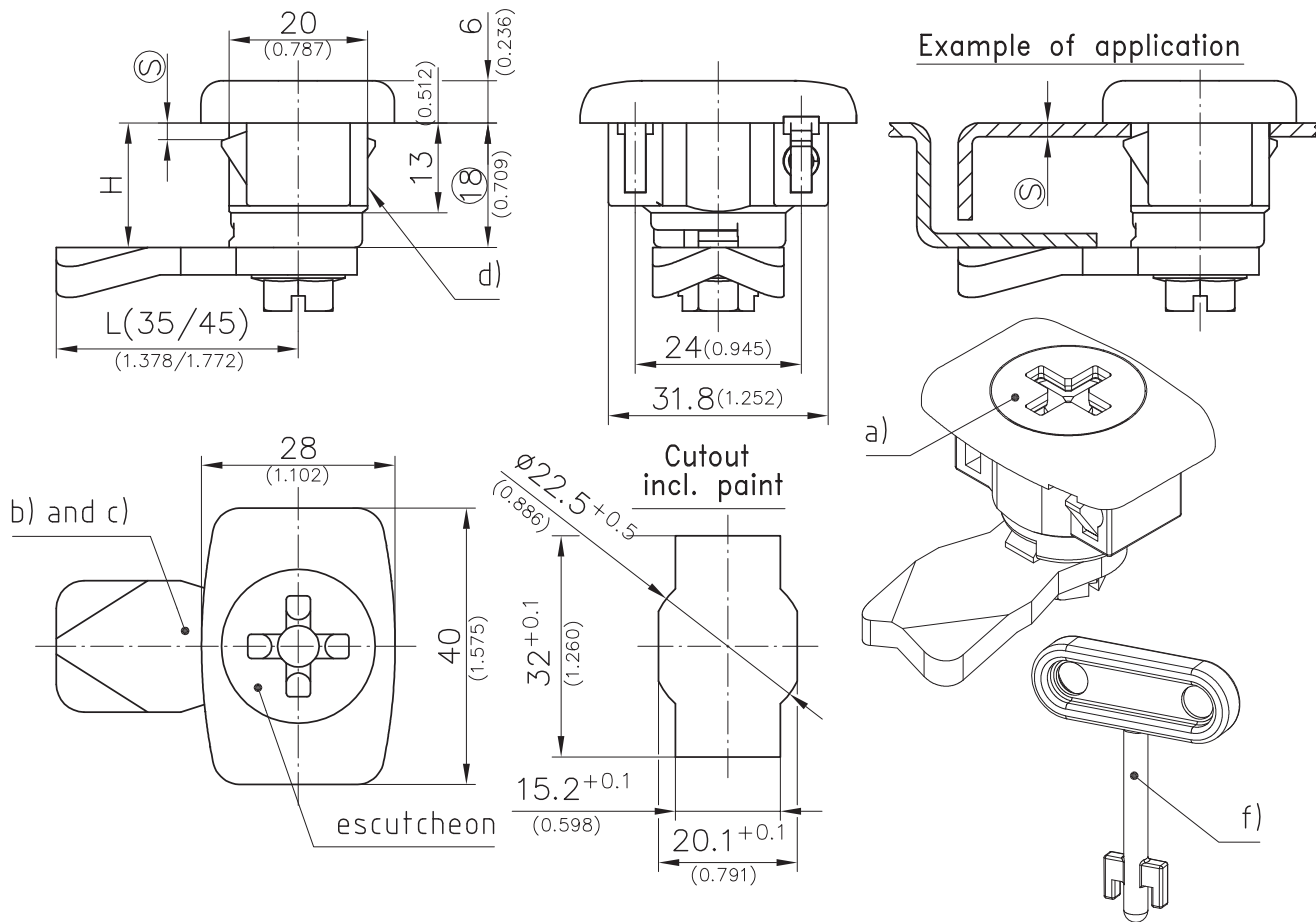
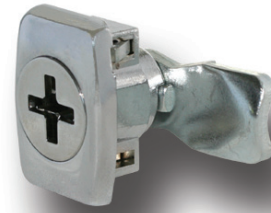


Product Notes:

- Cutout 32x20.1mm
- Special key required
- The key is removable at 90° turns
- Pre-assembled Quarter-Turn can be installed in cutout
- Vibration resistant
- Blind installation
- RH and LH application
- Low profile
- Components can be pre-assembled by DIRAK upon request
- Water and dust tight according to IP65, DIN EN 60529
- Grounding achieved with grounding clip
- Screw-on - see Product System 1-086
- **H-dimension of the cam must be greater than 12mm(0.472)**

Material:

- **Housing, insert and escutcheon:** Zinc Die, Chrome Plated
- **Wings:** Sintered Steel
- **O-Ring:** NBR, Black
- **Serrated screw:** Steel, Zinc Plated



	Clamping Range [Ⓢ]	Part No.	See Page
a) Quarter-Turn	1.0 - 1.7	455-9003.00-00013	
version FIAT	1.5 - 2.2	455-9003.00-00018	
	2.3 - 3.0	455-9003.00-00026	
Other [Ⓢ] - dimension on request			
b) Cams			01.24, 01.42, 01.101, 01.102
c) 3-point cams			01.101, 03.43
d) Grounding clip		200-1101.04-00000	
e) Please contact DIRAK for Part No. of a completely pre-assembled SNAP-LINE Quarter-Turn.			
f) Key		204-0302.42-00000	10.18